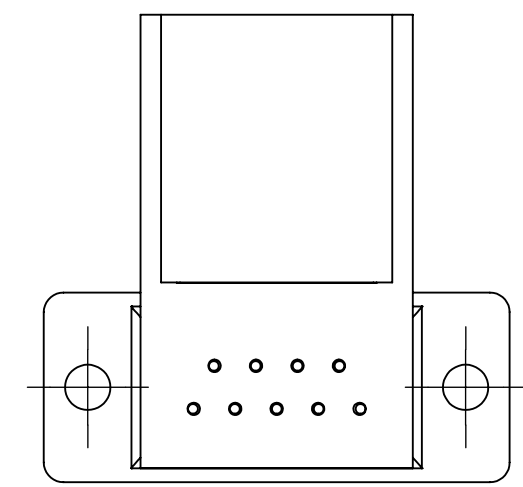
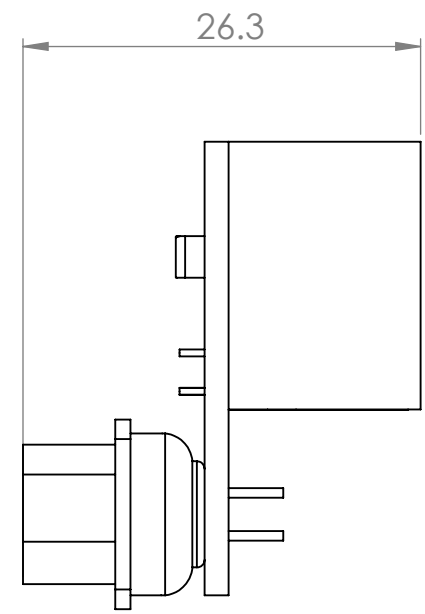
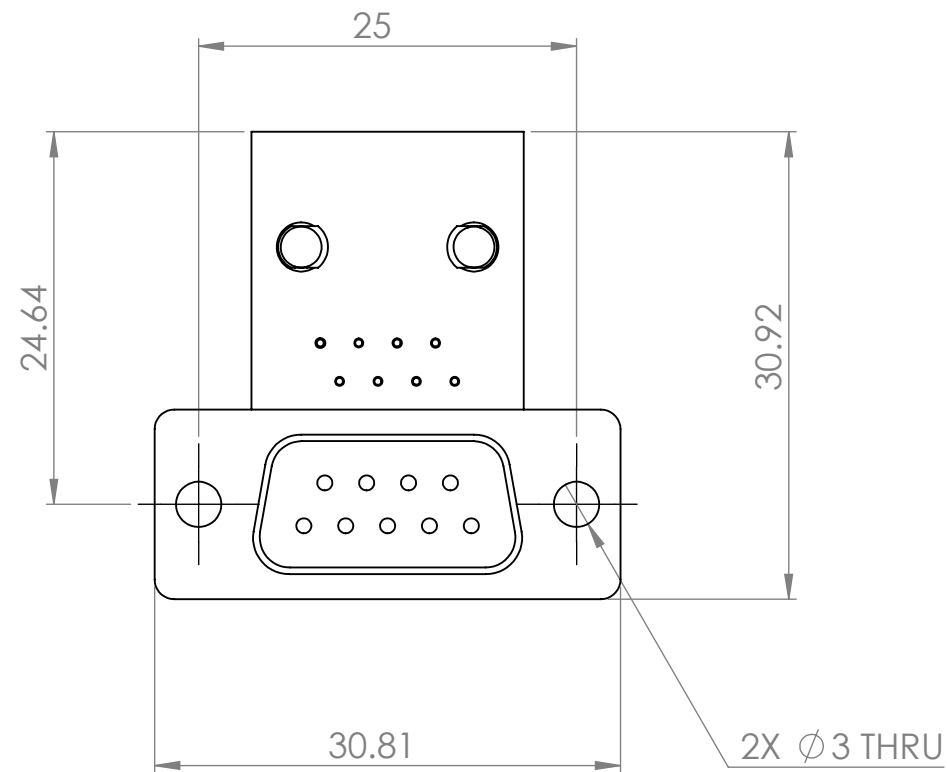
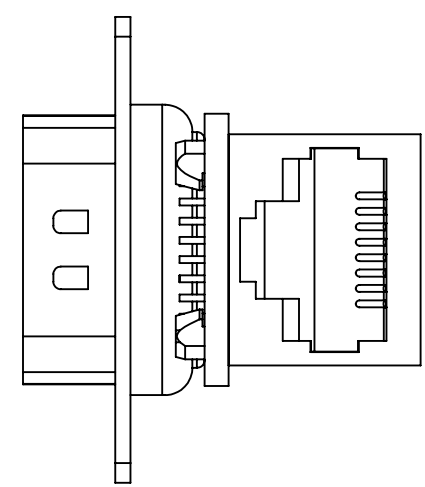
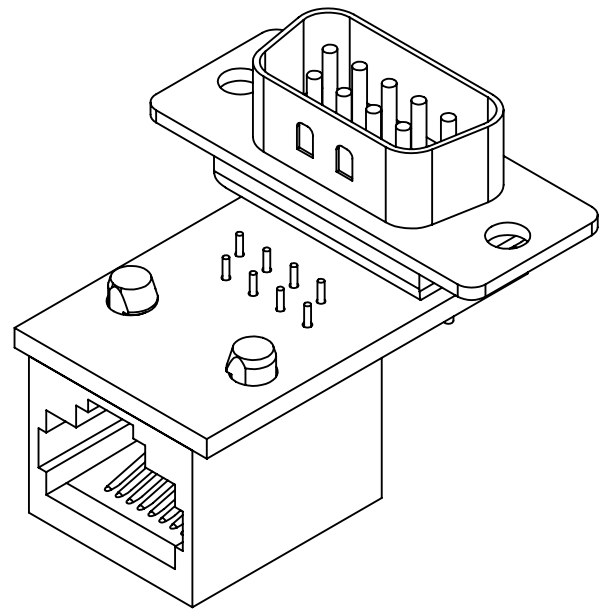


8 7 6 5 4 3 2 1

| REVISIONS |                 |           |          |
|-----------|-----------------|-----------|----------|
| REV.      | DESCRIPTION     | DATE      | APPROVED |
| A         | INITIAL RELEASE | 9/12/2023 | SKS      |



D

D

C

C

B

B

A

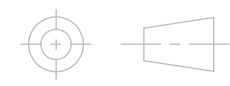
A

8 7 6 5 4 3 2 1



PROPRIETARY AND CONFIDENTIAL  
 THE INFORMATION CONTAINED IN THIS DRAWING IS THE SOLE PROPERTY OF SURYA DESIGN, LLC. ANY REPRODUCTION IN PART OR AS A WHOLE WITHOUT THE WRITTEN PERMISSION OF SURYA DESIGN, LLC IS PROHIBITED.

UNLESS OTHERWISE SPECIFIED:  
 1. DIMENSIONS ARE IN MM.  
 2. TOLERANCES PER ISO 2768-F.

THIRD ANGLE PROJECTION  
  
 DO NOT SCALE DRAWING

| APPROVALS      |                    | DATE      |
|----------------|--------------------|-----------|
| DRAWN          | SKS                | 9/12/2023 |
| CHECKED        | SKS                | 9/12/2023 |
| CLIENT CODE    | CLIENT PART NUMBER |           |
| SD             |                    |           |
| MATERIAL       | N/A                |           |
| FINISH         | N/A                |           |
| MODEL          | SD4439_A01         |           |
| SURFACE FINISH | N/A                |           |

|                                                                        |               |              |
|------------------------------------------------------------------------|---------------|--------------|
| <b>SURYA DESIGN, LLC</b><br>695 MINNESOTA ST., SAN FRANCISCO, CA 94107 |               |              |
| <b>EXD-C-MOX1-DE9F-D-R-0-0</b>                                         |               |              |
| PROJECT<br><b>EXDAPTER</b>                                             |               |              |
| SIZE                                                                   | DWG. NO.      | REV          |
| <b>B</b>                                                               | <b>SD4439</b> | <b>A</b>     |
| SCALE: 2:1                                                             |               | SHEET 1 OF 1 |