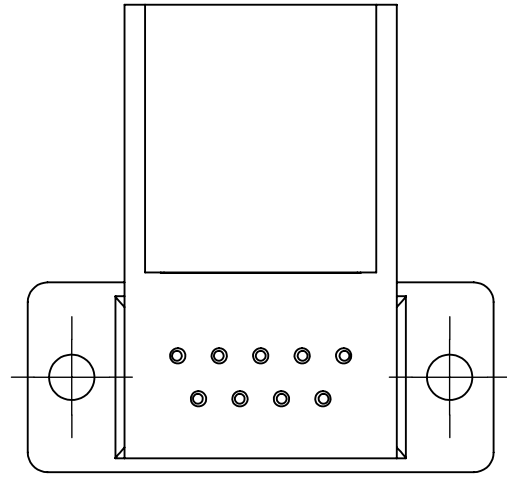
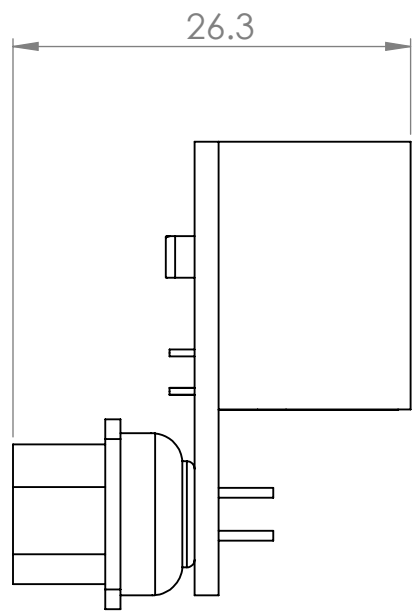
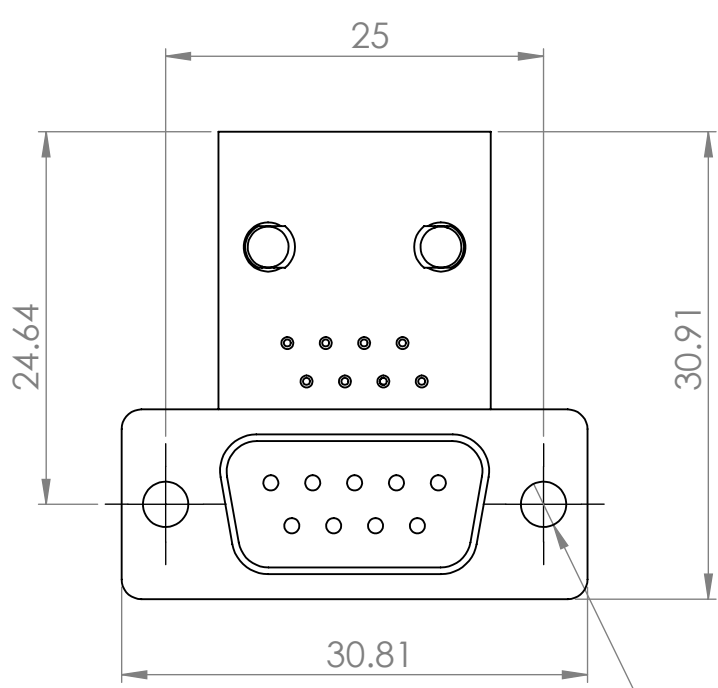
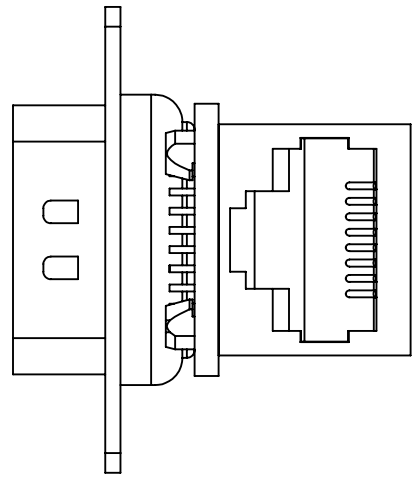
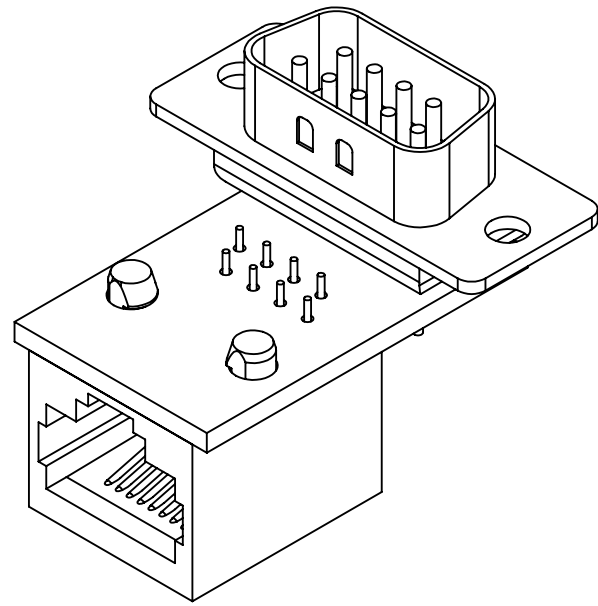


8 7 6 5 4 3 2 1

REVISIONS			
REV.	DESCRIPTION	DATE	APPROVED
A	INITIAL RELEASE	9/12/2023	SKS



2X Ø 3 THRU



PROPRIETARY AND CONFIDENTIAL
 THE INFORMATION CONTAINED IN THIS DRAWING IS THE SOLE PROPERTY OF SURYA DESIGN, LLC. ANY REPRODUCTION IN PART OR AS A WHOLE WITHOUT THE WRITTEN PERMISSION OF SURYA DESIGN, LLC IS PROHIBITED.

UNLESS OTHERWISE SPECIFIED:
 1. DIMENSIONS ARE IN MM.
 2. TOLERANCES PER ISO 2768-F.

THIRD ANGLE PROJECTION



DO NOT SCALE DRAWING

APPROVALS		DATE
DRAWN	SKS	9/12/2023
CHECKED	SKS	9/12/2023
CLIENT CODE	CLIENT PART NUMBER	
SD		
MATERIAL	N/A	
FINISH	N/A	
MODEL	SD6779_A	
SURFACE FINISH	N/A	

SURYA DESIGN, LLC 695 MINNESOTA ST., SAN FRANCISCO, CA 94107		
EXD-C-MOX1-DE9F-U-R-0-0		
PROJECT EXDAPTER		
SIZE	DWG. NO.	REV
B	SD6779	A
SCALE: 2:1		SHEET 1 OF 1

8 7 6 5 4 3 2 1