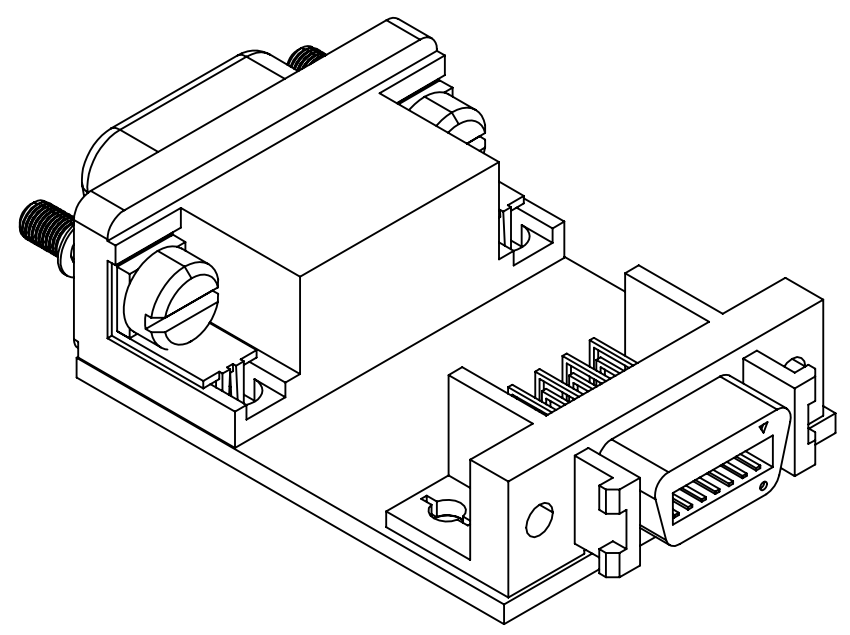
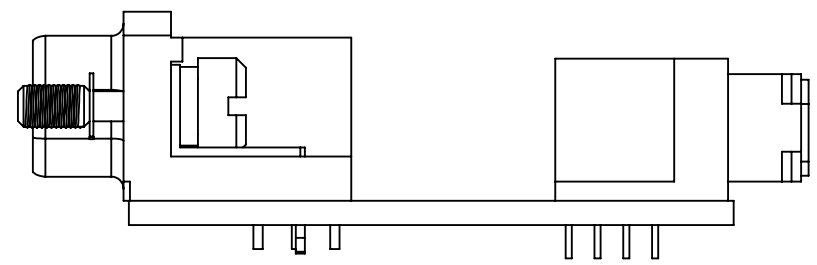
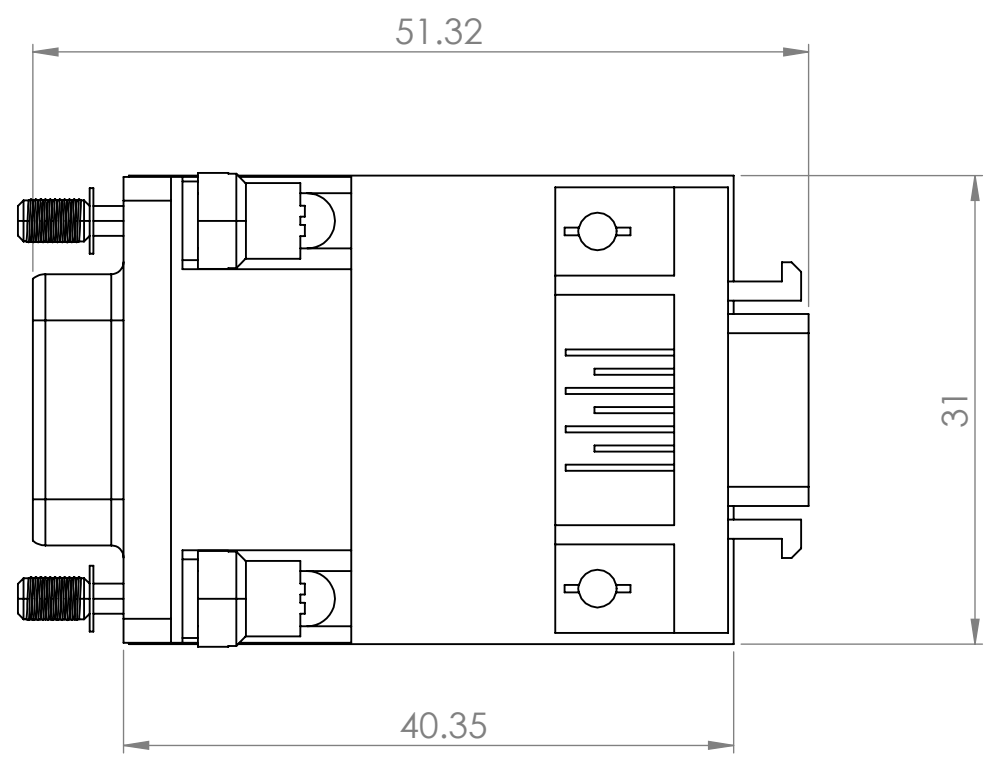


8 7 6 5 4 3 2 1

REVISIONS			
REV.	DESCRIPTION	DATE	APPROVED
A	INITIAL RELEASE	1/16/2024	SKS



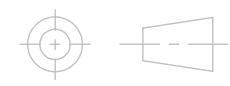
D
C
B
A

D
C
B
A



PROPRIETARY AND CONFIDENTIAL
 THE INFORMATION CONTAINED IN THIS DRAWING IS THE SOLE PROPERTY OF SURYA DESIGN, LLC. ANY REPRODUCTION IN PART OR AS A WHOLE WITHOUT THE WRITTEN PERMISSION OF SURYA DESIGN, LLC IS PROHIBITED.

UNLESS OTHERWISE SPECIFIED:
 1. DIMENSIONS ARE IN MM.
 2. TOLERANCES PER ISO 2768-F.

THIRD ANGLE PROJECTION

 DO NOT SCALE DRAWING

APPROVALS		DATE
DRAWN	SKS	1/16/2024
CHECKED	SKS	1/16/2024
CLIENT CODE	CLIENT PART NUMBER	
SD		
MATERIAL		
FINISH		
MODEL		SD9500_A
SURFACE FINISH		✓

SURYA DESIGN, LLC 695 MINNESOTA ST., SAN FRANCISCO, CA 94107		
EXD-F-PP-ACSUDMMC		
PROJECT EXDAPTER		
SIZE	DWG. NO.	REV
B	SD9500	A
SCALE: 2:1		SHEET 1 OF 1

8 7 6 5 4 3 2 1