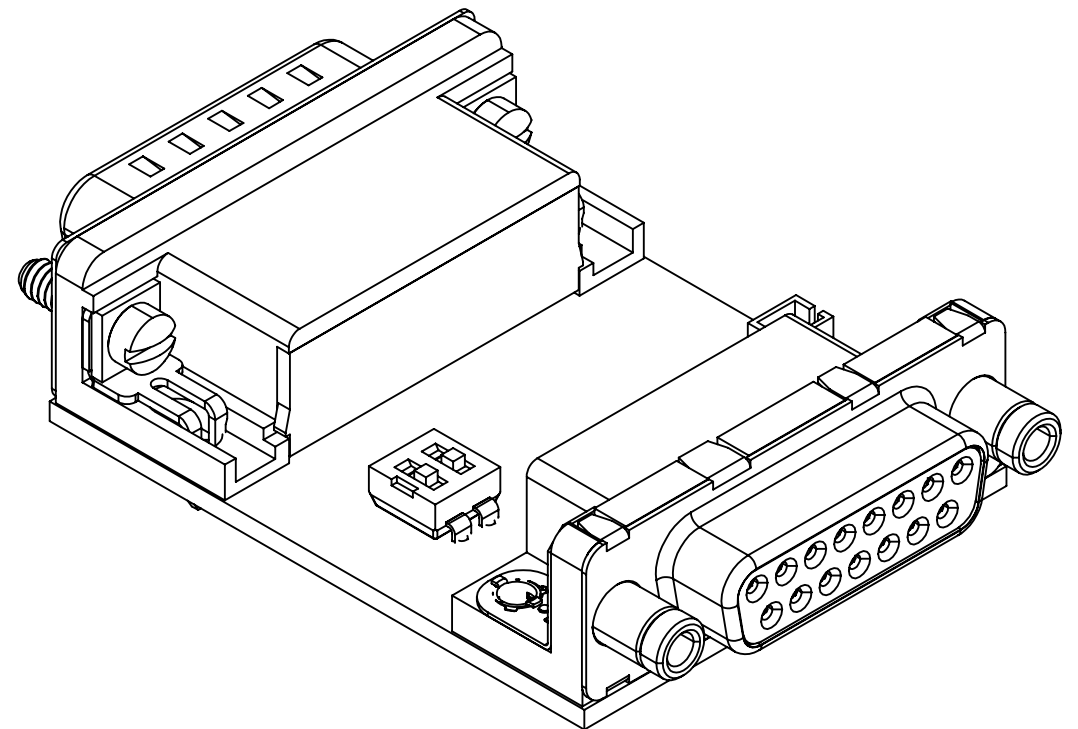
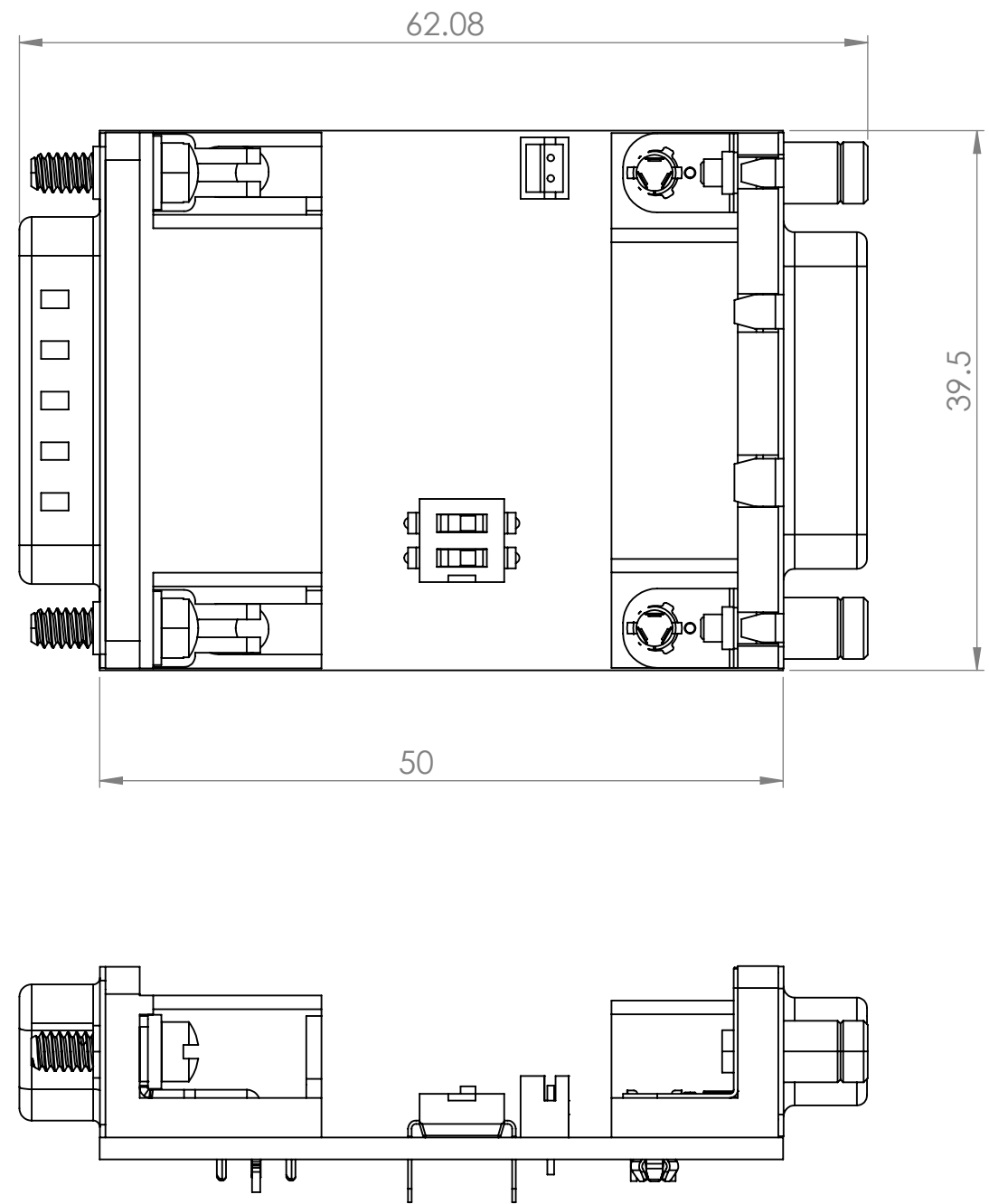


8 7 6 5 4 3 2 1

REVISIONS			
REV.	DESCRIPTION	DATE	APPROVED
A	INITIAL RELEASE	1/23/2024	SKS

D  
C  
B  
A



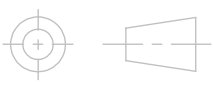
D  
C  
B  
A

8 7 6 5 4 3 2 1



PROPRIETARY AND CONFIDENTIAL  
 THE INFORMATION CONTAINED IN THIS DRAWING IS THE SOLE PROPERTY OF SURYA DESIGN, LLC. ANY REPRODUCTION IN PART OR AS A WHOLE WITHOUT THE WRITTEN PERMISSION OF SURYA DESIGN, LLC IS PROHIBITED.

UNLESS OTHERWISE SPECIFIED:  
 1. DIMENSIONS ARE IN MM.  
 2. TOLERANCES PER ISO 2768-F.

THIRD ANGLE PROJECTION  
  
 DO NOT SCALE DRAWING

APPROVALS		DATE
DRAWN	SKS	1/23/2024
CHECKED	SKS	1/23/2024
CLIENT CODE	CLIENT PART NUMBER	
SD		
MATERIAL		
FINISH		
MODEL	SD7610_A	
SURFACE FINISH	✓	

<b>SURYA DESIGN, LLC</b> 695 MINNESOTA ST., SAN FRANCISCO, CA 94107		
<b>EXD-F-RENINCDA15A-ACSDA26-0-0-0</b>		
PROJECT		
<b>EXDAPTER</b>		
SIZE	DWG. NO.	REV
<b>B</b>	<b>SD7610</b>	<b>A</b>
SCALE: 2:1		SHEET 1 OF 1

A