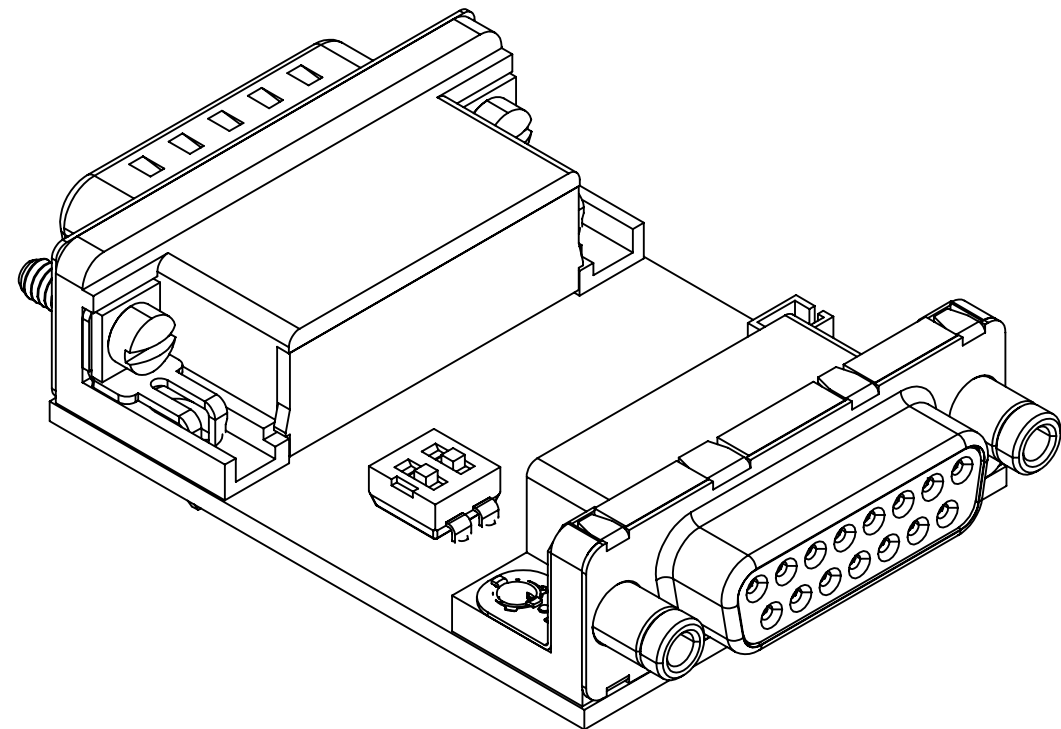
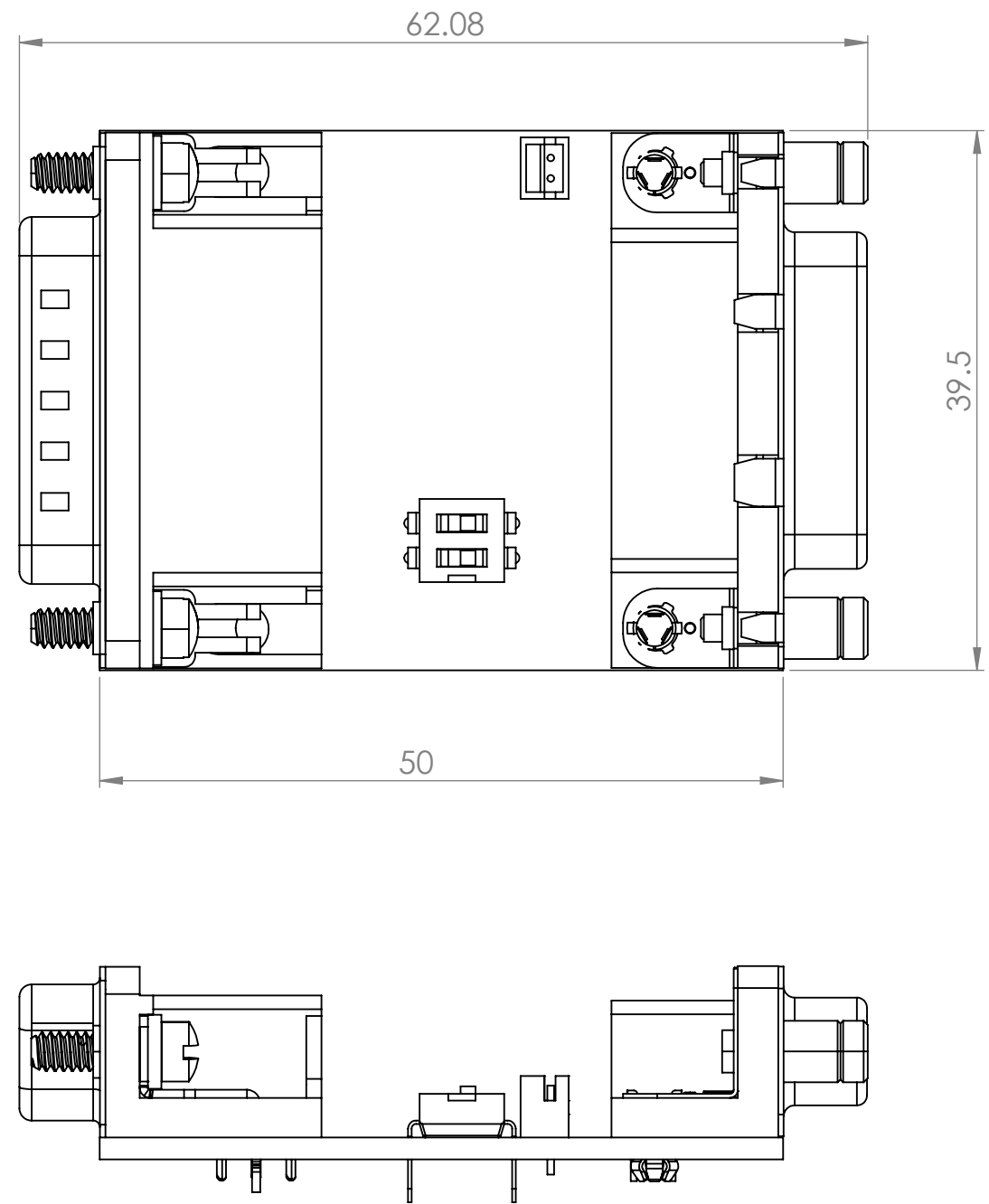


8 7 6 5 4 3 2 1

| REVISIONS |                 |           |          |
|-----------|-----------------|-----------|----------|
| REV.      | DESCRIPTION     | DATE      | APPROVED |
| A         | INITIAL RELEASE | 1/23/2024 | SKS      |

D  
C  
B  
A

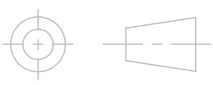


D  
C  
B  
A



PROPRIETARY AND CONFIDENTIAL  
 THE INFORMATION CONTAINED IN THIS DRAWING IS THE SOLE PROPERTY OF SURYA DESIGN, LLC. ANY REPRODUCTION IN PART OR AS A WHOLE WITHOUT THE WRITTEN PERMISSION OF SURYA DESIGN, LLC IS PROHIBITED.

UNLESS OTHERWISE SPECIFIED:  
 1. DIMENSIONS ARE IN MM.  
 2. TOLERANCES PER ISO 2768-F.

THIRD ANGLE PROJECTION  
  
 DO NOT SCALE DRAWING

| APPROVALS      |                    | DATE      |
|----------------|--------------------|-----------|
| DRAWN          | SKS                | 1/23/2024 |
| CHECKED        | SKS                | 1/23/2024 |
| CLIENT CODE    | CLIENT PART NUMBER |           |
| SD             |                    |           |
| MATERIAL       |                    |           |
| FINISH         |                    |           |
| MODEL          | SD7600_A           |           |
| SURFACE FINISH |                    | ✓         |

|  |               |              |
|--|---------------|--------------|
| <b>SURYA DESIGN, LLC</b><br>695 MINNESOTA ST., SAN FRANCISCO, CA 94107 |               |              |
| <b>EXD-F-RENINCDA15D-ACSDA26-0-0-0</b>                                 |               |              |
| PROJECT  |               |              |
| EXDAPTER   |               |              |
| SIZE   | DWG. NO.      | REV          |
| <b>B</b>   | <b>SD7600</b> | <b>A</b>     |
| SCALE: 2:1   |               | SHEET 1 OF 1 |

8 7 6 5 4 3 2 1